

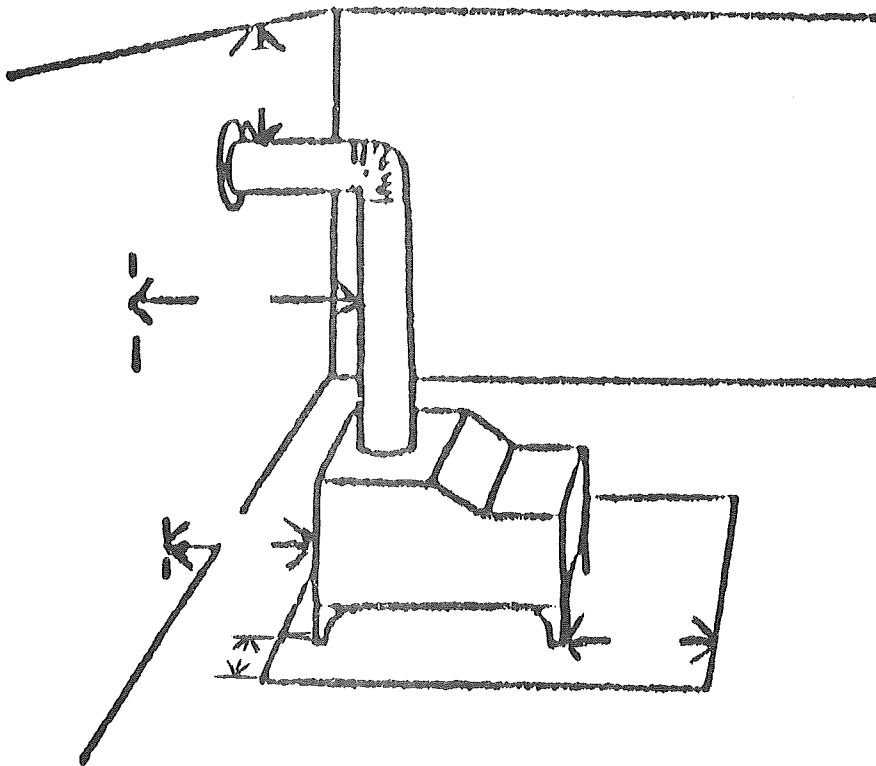
**JUNIATA MUTUAL INSURANCE COMPANY
McAlisterville, PA 17049**

Woodburning Stove Section

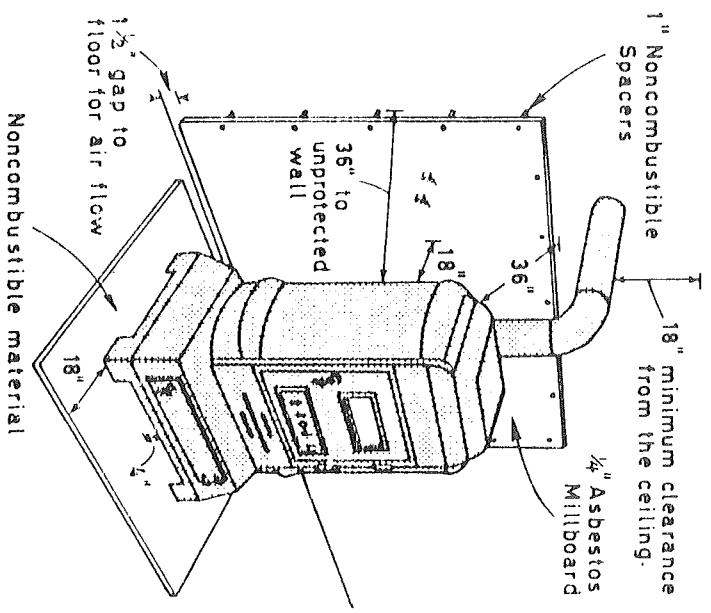
1. Make and Model Does Stove have a "U.L." Label? Yes No
2. Type of Stove Kitchen Cookstove Furnace (Wood Only) Furnace (Wood/Combination) Fireplace Insert Franklin Type Circulating Fan Stove Radiant Stove Jacketed Stove
3. Chimney Type: Lined Masonry Unlined Brick Single Wall Metal Unlined Block Insulated Metal Other (Explain)
4. Stove Installed by: Owner Contractor (Name and address)
5. What type of base material is under stove?
6. Describe wall finish nearest stove Yes No
7. Is stove Free of Broken Parts, Cracks or Rust?
8. Does stove pipe avoid passing through or near combustibles where entering chimney?
9. Is stove pipe installed so it does not pass through floors, concealed spaces or closets?
10. Does a clay thimble pass through a frame wall into a chimney?
If "yes," how much masonry surrounds the thimble?
11. Is there a non-combustible shield offset from the wall with one-inch air space?
12. Is this the only heating unit vented into this flue?
13. Is the top of chimney a safe distance from the roof?
14. Any other primary source of heat in the building?
15. Did you personally inspect the installation of this stove?
16. Where in the building is the stove located?
 Kitchen Living Room Basement Other (Explain)

Explain all "No" responses:

PLEASE PUT THE MEASUREMENTS ON THE BELOW DIAGRAM BETWEEN THE ARROWS.

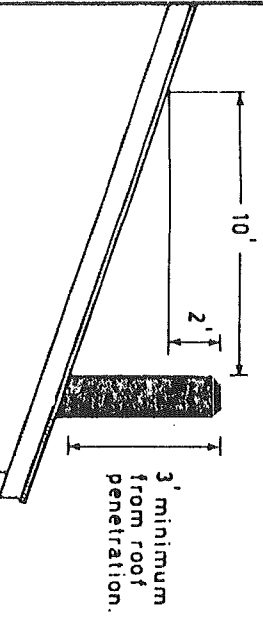


Stove Clearances

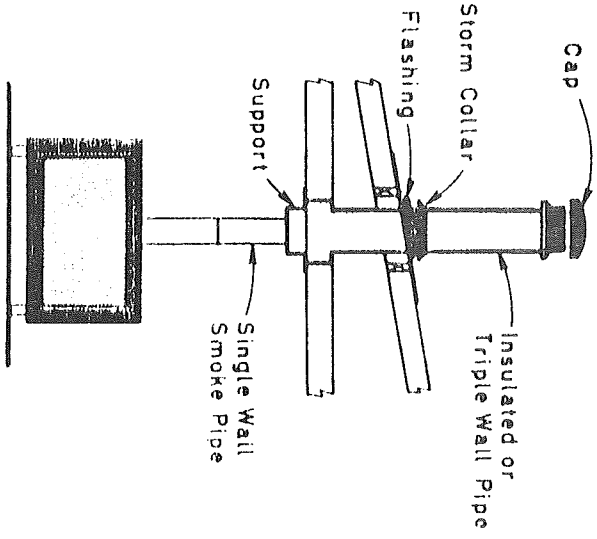


2

To prevent downdrafts and fire from sparks, chimney height must be at least 2 feet above any roof surface within 10 feet horizontally.

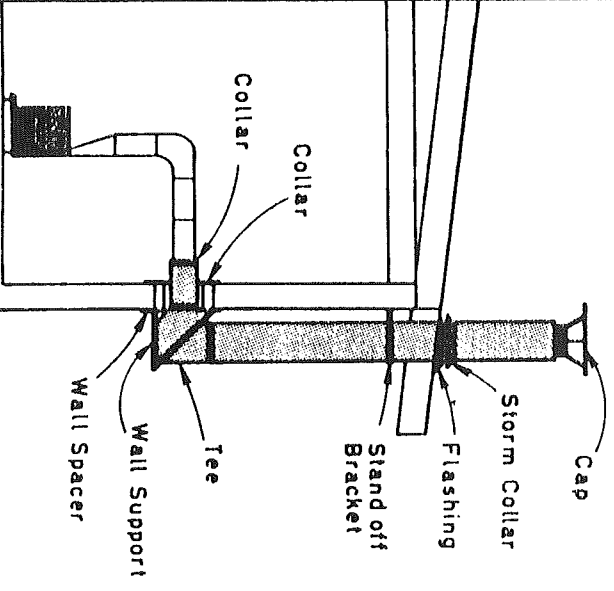


Prefabricated Chimney - Interior (Preferred) Installation

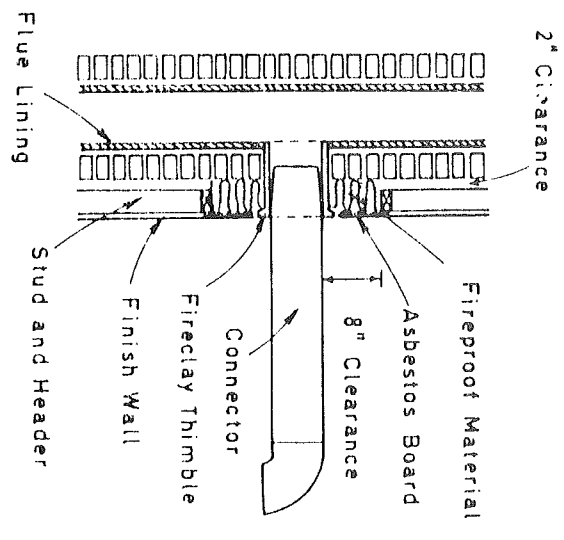


4

Prefabricated Chimney - Outside Installation



Chimney Connection



FLOOR PROTECTION

UNLESS STOVE IS ON A CONCRETE FLOOR, THIS FLOOR PROTECTION IS REQUIRED.

